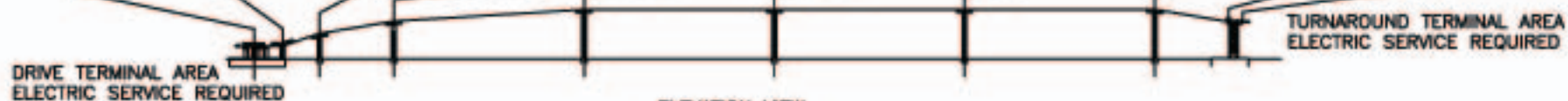
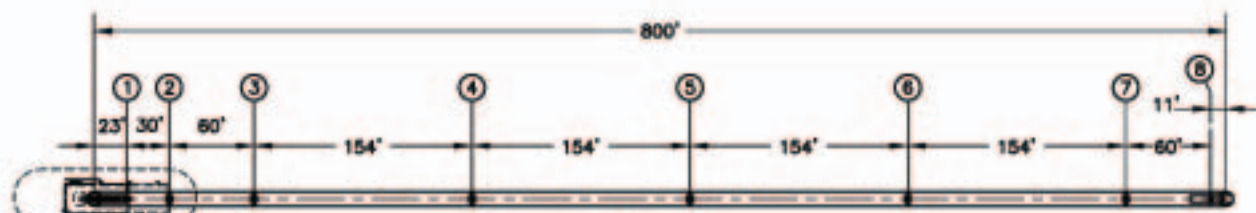


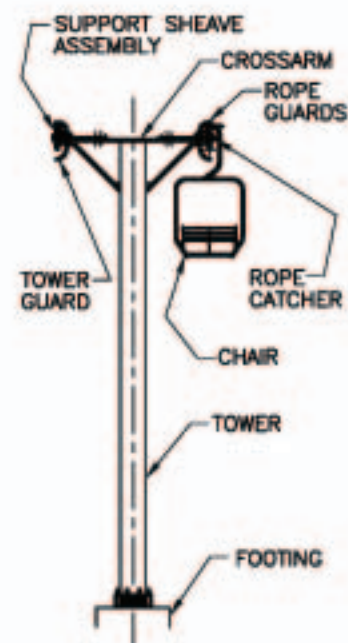
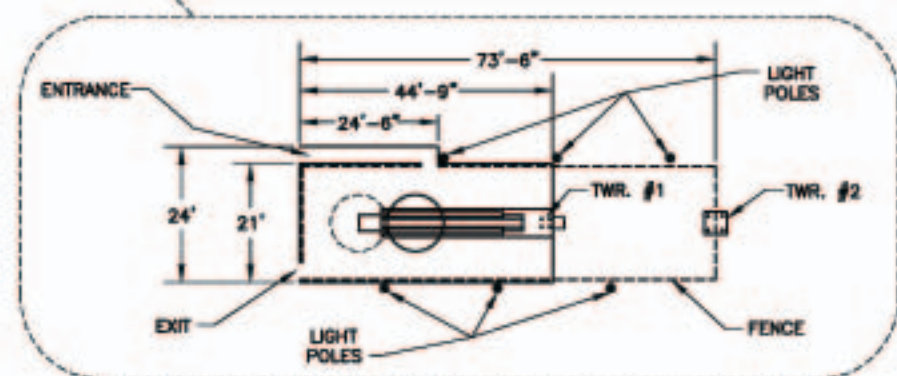
D.T. B.W.	TOWER #1	TOWER #2	TOWER #3	TOWER #4	TOWER #5	TOWER #6	TOWER #7	T.T. (LOC.) #8	T.T. B.W.
P.I. 110.00'	P.I. 110.00'	P.I. 120.00'	P.I. 130.00'	P.I. 140.00'	P.I. 140.00'	P.I. 140.00'	P.I. 140.00'	P.I. 130.00'	P.I. 130.00'
STA. 1+00.00'	STA. 1+23.00'	STA. 1+53.00'	STA. 2+13.00'	STA. 3+67.00'	STA. 5+21.00'	STA. 6+75.00'	STA. 8+29.00'	STA. 8+89.00'	STA. 9+00.00'
T.H. 10.00'	T.H. 10.00'	T.H. 20.00'	T.H. 30.00'	T.H. 40.00'	T.H. 40.00'	T.H. 40.00'	T.H. 40.00'	T.H. 30.00'	T.H. 30.00'
T.C. 100.00'	T.C. 100.00'	T.C. 100.00'	T.C. 100.00'	T.C. 100.00'	T.C. 100.00'	T.C. 100.00'	T.C. 100.00'	T.C. 100.00'	T.C. 100.00'
GR. 99.50'	GR. 99.50'	GR. 99.50'	GR. 99.50'	GR. 99.50'	GR. 99.50'	GR. 99.50'	GR. 99.50'	GR. 99.50'	GR. 99.50'



ELEVATION VIEW



PLAN VIEW



TYPICAL SECTION

TYPICAL RIDE DATA

VERTICAL RISE	40 FT. MAXIMUM
CAPACITY	500/HR. W/2/CHAIR
CHAIR SPACING	48'-0"
ROTATION	CLOCKWISE
CARRIAGE TRAVEL	10 FT.
DRIVE	ELECTRIC
HORIZONTAL LENGTH	800 FT. (APPROX.)
NUMBER OF CHAIRS	35

ABBREVIATIONS

D.T.	DRIVE TERMINAL
T.T.	TURNAROUND TERMINAL
B.W.	BULL WHEEL
STA.	STATION
T.H.	TOWER HEIGHT
T.C.	TOP OF CONCRETE
GR.	ELEVATION OF GROUND
P.I.	POINT OF INTERSECTION ⊕ WIRE ROPE AT ⊕ TOWER

CUSTOMER APPROVAL:	SKYTRANS MFG, LLC 0007000000, NH 03220	SKYTECH, LLC ENGINEERING OFFICE	JOB NO:	-
PRODUCER APPROVAL:	DESCRIPTION: TYPICAL ZOO LAYOUT		DRAWN BY:	DU*
S.E. APPROVAL:	THIRD ANGLE PROJECTION		CHECKED BY:	SAE
TOLERANCES UNLESS SPECIFIED:	SURFACE FINISH 130	FRAC TIONS (DIA) 1/16"	DATE:	29DEC04
XX 0.005"	XX 0.002"	XX 0.001"	SCALE:	1:1
XX 0.0005"	XX 0.0002"	XX 0.0001"	SHEET NO.:	1 OF 1
XX 0.0001"	XX 0.00005"	XX 0.00002"	DO NOT SCALE DRAWING	
			DRAWING NO.-REV:	-